

F82G – General purpose filter Excelon® Plus Modular System



- > Port size: 1/4" & 3/8" (ISO G/PTF)
- > Excelon® Plus design allows in-line installation or modular installation with other Excelon® Plus products
- > 5 or 40 micron particle and high efficiency water removal (> 95%)
- > Double safety lock bowl
- > Metal bowl with prismatic liquid level indicator lens
- > Light weight polycarbonate bowl
- > Air purity classes in accordance to ISO8573-1:2010:
7:8:4 (40µm)
6:8:4 (5µm)



Technical features

Medium:

Compressed air only
Maximum supply pressure:
Polycarbonate bowl: 10 bar (145 psi)
Metal bowl: 17 bar (246 psi)

Filter element:

5 µm & 40 µm

Port size:

G1/4, G3/8
1/4 PTF, 3/8 PTF

Flow:

23 dm³/s (port size 1/4") and
27dm³/s (port size 3/8") at inlet
pressure 6.3bar (91psi) and a
Δp 0,5 bar (7,25 psi) pressure
drop. Filter element 40µm


Drain:

Manual or automatic
Automatic drain operating
conditions (float operated):
Bowl pressure required to
close drain: > 0,35 bar (5 psi)
Bowl pressure required to open
drain: ≤ 0,2 bar (2,9 psi)
Minimum air flow required to
close drain: 1dm³/s.

Ambient/Media temperature:

Polycarbonate bowl:
-10 ... +60°C (14 ... +140°F)
Metal bowl:
-20 ... +65°C (-4 ... +149°F)
Air supply must be dry enough
to avoid ice formation at
temperatures below +2°C
(+35°F).


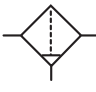
Atex:

Filters F82 are in conformity with
Atex 2014/34/EU
 II 2 GD
Ex h IIC T6 Gb
EX h IIIC T85°C Db

Materials:

Body: Die cast aluminium
Body covers: ABS
Transparent Bowl : Polycarbonate with Polypropylene Guard.
Metal Bowl: Die cast Zinc with PA liquid level indicator lens
Filter element: sintered PP
Bowl 'o'- ring: Chloroprene
Elastomers: NBR

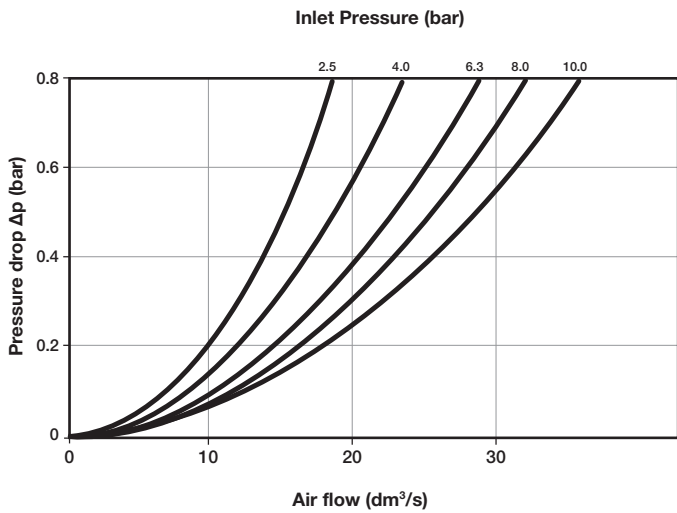
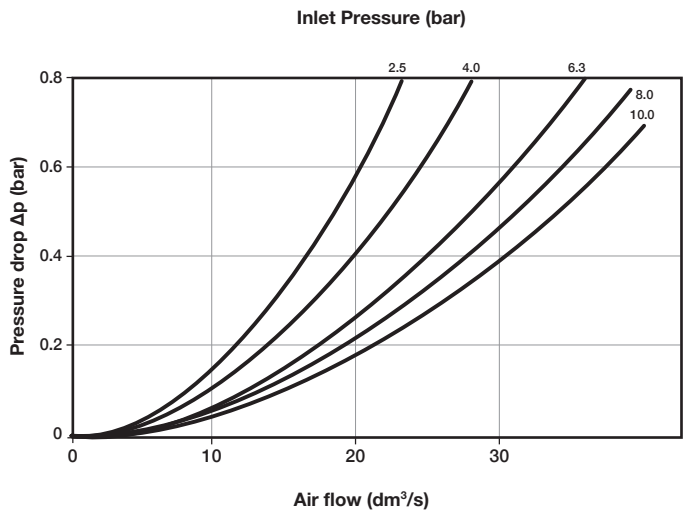
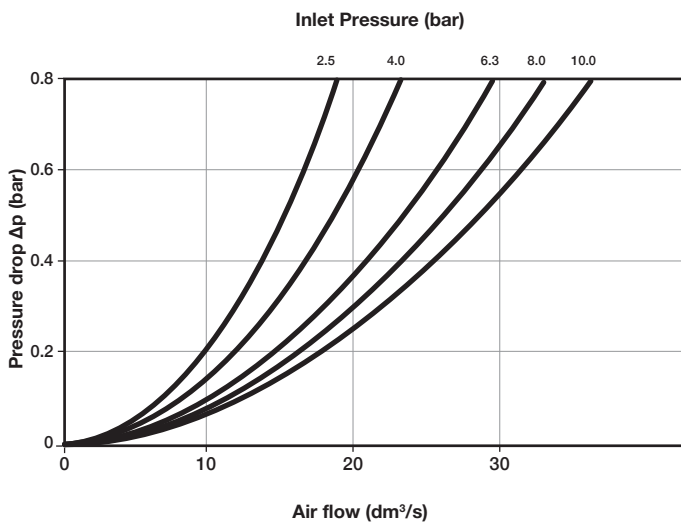
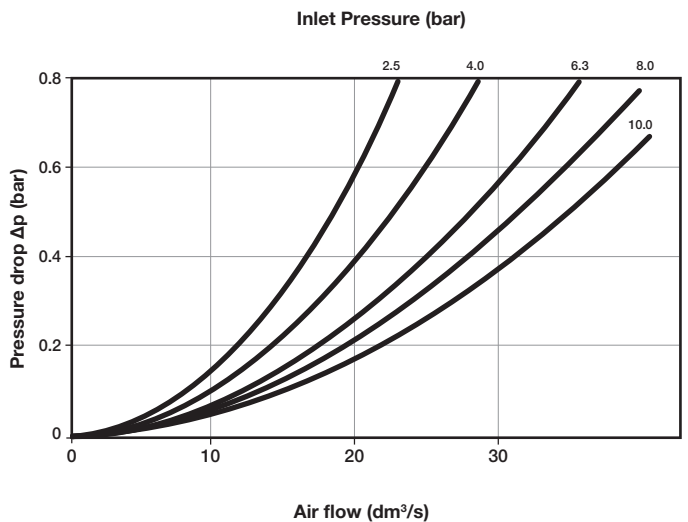
Technical data F82G—standard models

| Symbol | Port Size | Drain | Filter element (µm) | Bowl | Weight (kg) | Model *1) |
|---|-----------|--------|---------------------|----------------------------|-------------|--------------|
|  | G1/4 | Auto | 40 | Guarded polycarbonate | 0,22 | F82G-2GN-AP3 |
| | G3/8 | Auto | 40 | Guarded polycarbonate | 0,22 | F82G-3GN-AP3 |
| | G1/4 | Auto | 40 | Metal with level indicator | 0,41 | F82G-2GN-AD3 |
| | G3/8 | Auto | 40 | Metal with level indicator | 0,41 | F82G-3GN-AD3 |
|  | G1/4 | Manual | 40 | Guarded polycarbonate | 0,20 | F82G-2GN-QP3 |
| | G3/8 | Manual | 40 | Guarded polycarbonate | 0,20 | F82G-3GN-QP3 |
| | G1/4 | Manual | 40 | Metal with level indicator | 0,40 | F82G-2GN-QD3 |
| | G3/8 | Manual | 40 | Metal with level indicator | 0,40 | F82G-3GN-QD3 |

Option selector
F82G-*N-*****

| Port size | Substitute |
|-----------------------|------------|
| 1/4" | 2 |
| 3/8" | 3 |
| Thread form | Substitute |
| PTF | A |
| ISO G (standard) | G |
| Drain | Substitute |
| Manual (standard) | Q |
| Auto drain (standard) | A |

| Element | Substitute |
|-----------------------------------|------------|
| 5 µm | 1 |
| 40µm (standard) | 3 |
| Bowl | Substitute |
| Transparent with guard (standard) | P |
| Metal with liquid indicator | D |

Flow characteristics
Element: 40 µm
Port size: 1/4"

Element: 40 µm
Port size: 3/8"

Element: 5 µm
Port size: 1/4"

Element: 5 µm
Port size: 3/8"


Accessories
Wall mounting bracket

Page 5

820024-50KIT

Quikclamp®

Page 5

820014-51KIT

**Quikclamp®
with bracket assembled**

Page 5

820014-52KIT

**Pressure sensing block
1/4 PTF**

Page 5

820016-50KIT

**Pressure sensing block
G1/4**

Page 5

820016-51KIT

**Full flow porting block
3/8" PTF**

Page 5

820028-50KIT

**Full flow porting block
G3/8**

Page 5

820028-53KIT

**Pressure switch interface
block (18D pressure switch)**

Page 6

0523109000000000

**Pneumatic pressure switch
18D (0,5 ... 8 bar) *1)**

Page 6

0881300

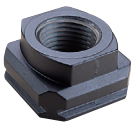
**Digital pressure switch
51D (-1 ... 10 bar) *2)**

Page 6

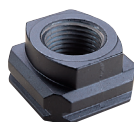
0860810

*1) Flanged version. For other pressure ranges, please see data sheet 5.11.001

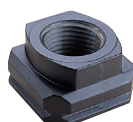
*2) For other pressure ranges, please see data sheet 5.11.385

**Port Adaptors
1/4 PTF**

Page 6

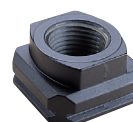
820015-02KIT

**Port Adaptors
3/8 PTF**

Page 6

820015-03KIT

**Port Adaptors
G1/4**

Page 6

820015-08KIT

**Port Adaptors
G3/8**

Page 6

820015-09KIT

Maintenance/Service

**Filter cartridge
5 micron**



820038-50KIT

**Filter cartridge
40 micron**



820038-51KIT

**Auto drain kit with
metal Nut - Imperial**



6000-61KIT

**Auto drain kit with
metal Nut - Metric**



6000-60KIT


Spare parts

**Filter Bowl (Guarded Poly
bowl with auto drain 6 mm PIF)**



820025-51KIT

**Filter Bowl (Guarded Poly
bowl with manual drain)**



820025-50KIT

**Filter Bowl (Metal with S/
Glass & auto drain, 6 mm PIF)**



820003-51KIT

**Filter Bowl (Metal with S/
Glass & manual drain)**



820003-50KIT

**Filter Bowl (Guarded Poly
bowl with auto drain, 1/4 PIF)**



820025-53KIT

**Filter Bowl (Metal with S/
Glass & auto drain, 1/4 PIF)**

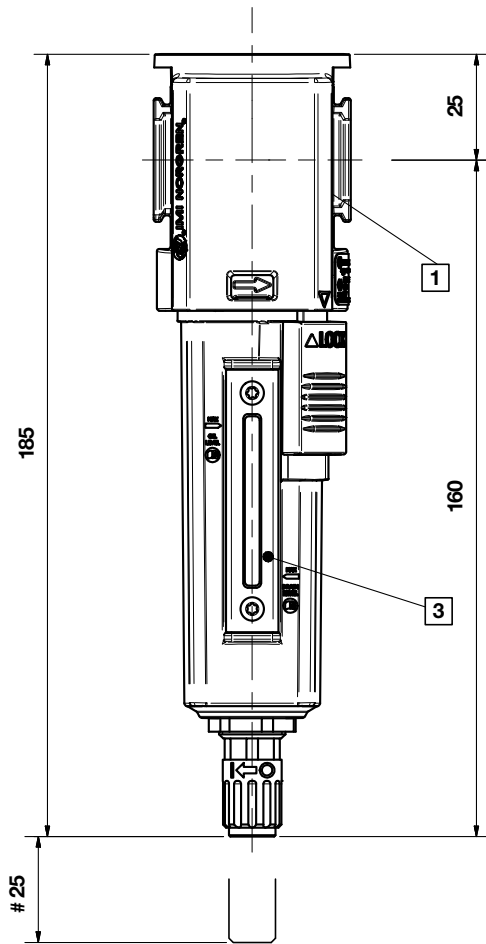


820003-56KIT

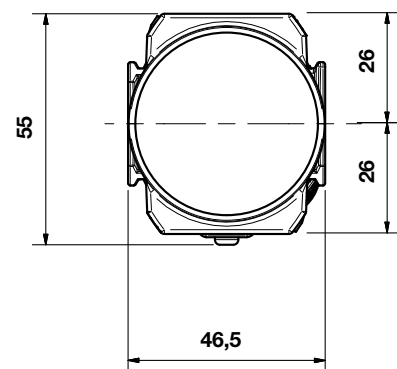
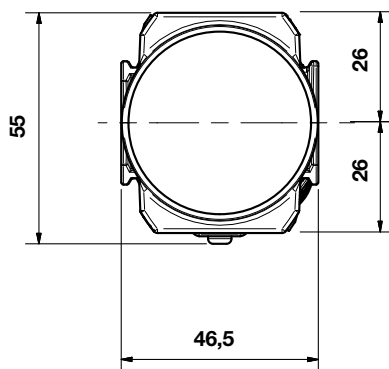
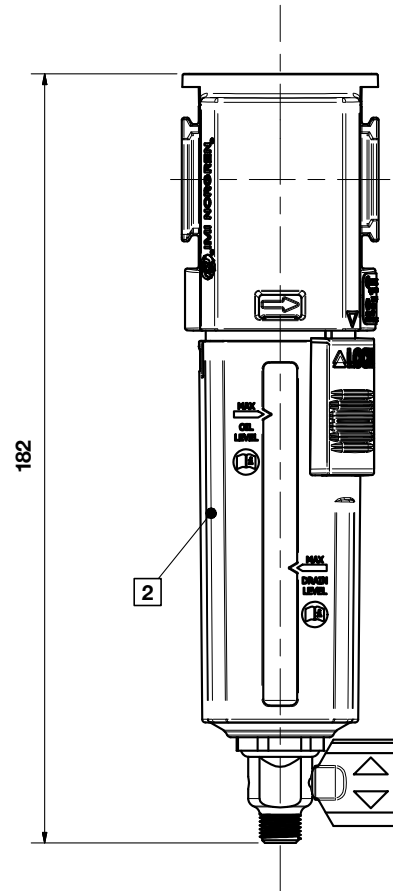
Dimensions

 Dimensions in mm
 Projection/First angle


Automatic Drain



1/4 Turn Manual Drain

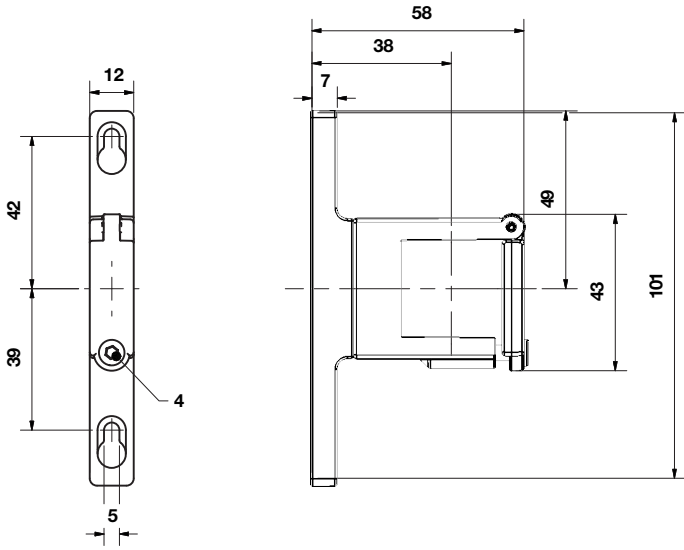
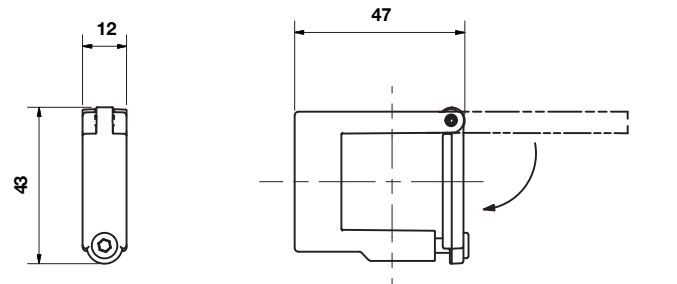


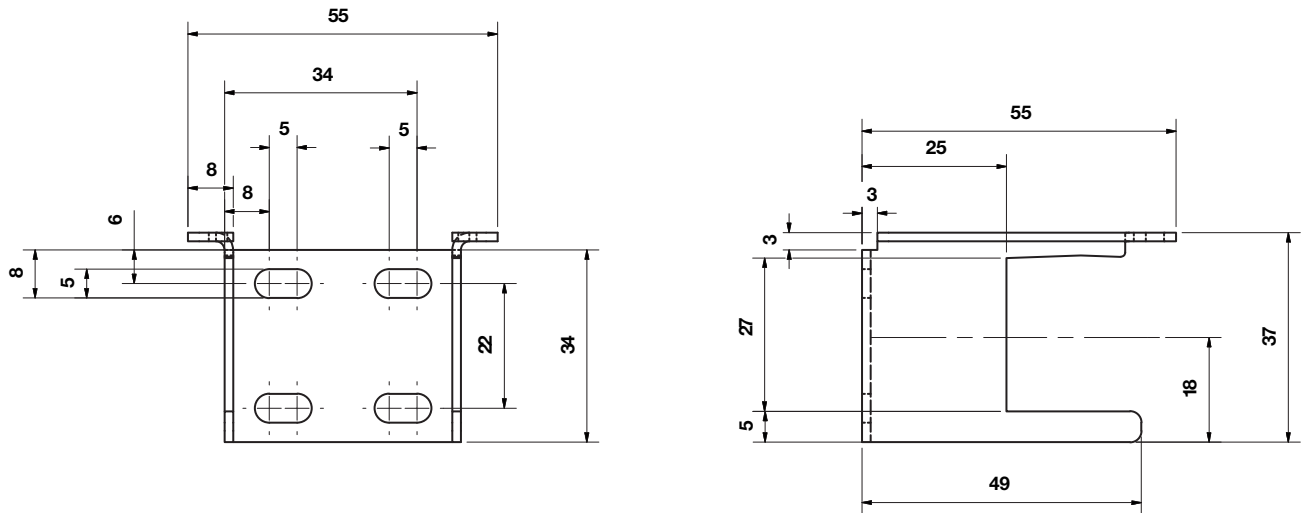
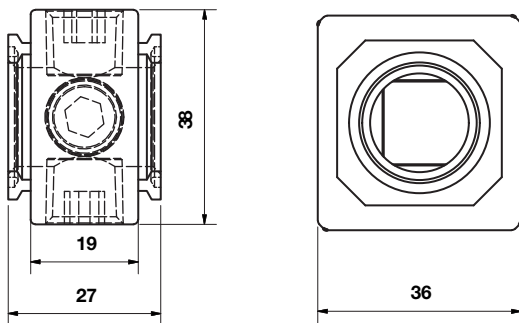
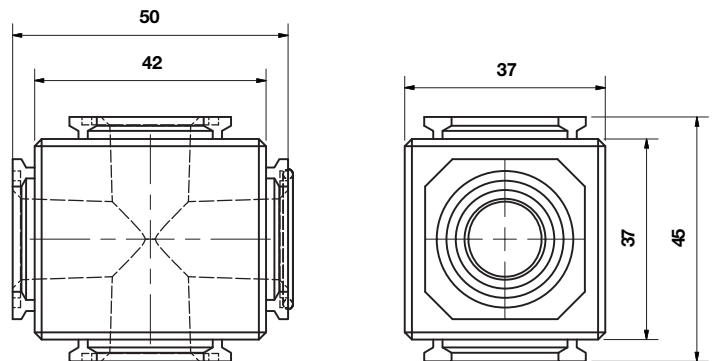
Minimum clearance required to remove bowl

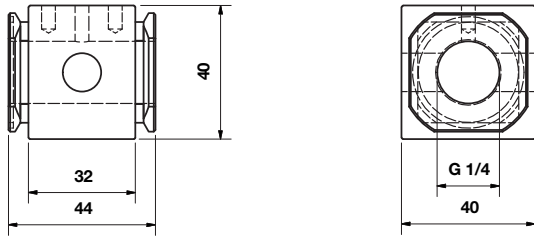
1 Main ports 1/4", 3/8" (ISO G/PTF)

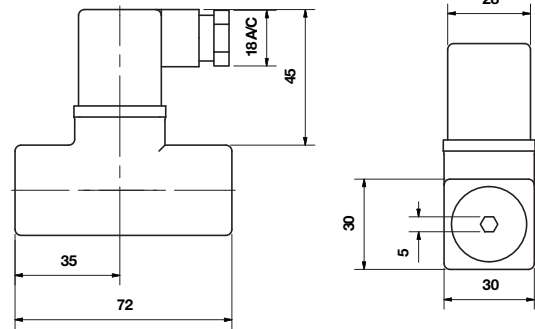
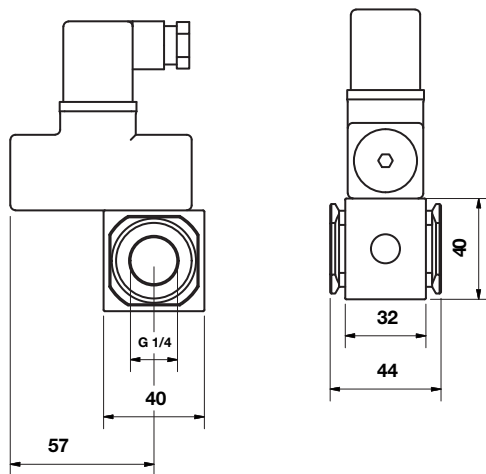
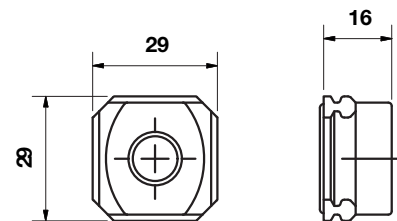
2 Transparent bowl with guard

3 Metal bowl with liquid level indicator lens

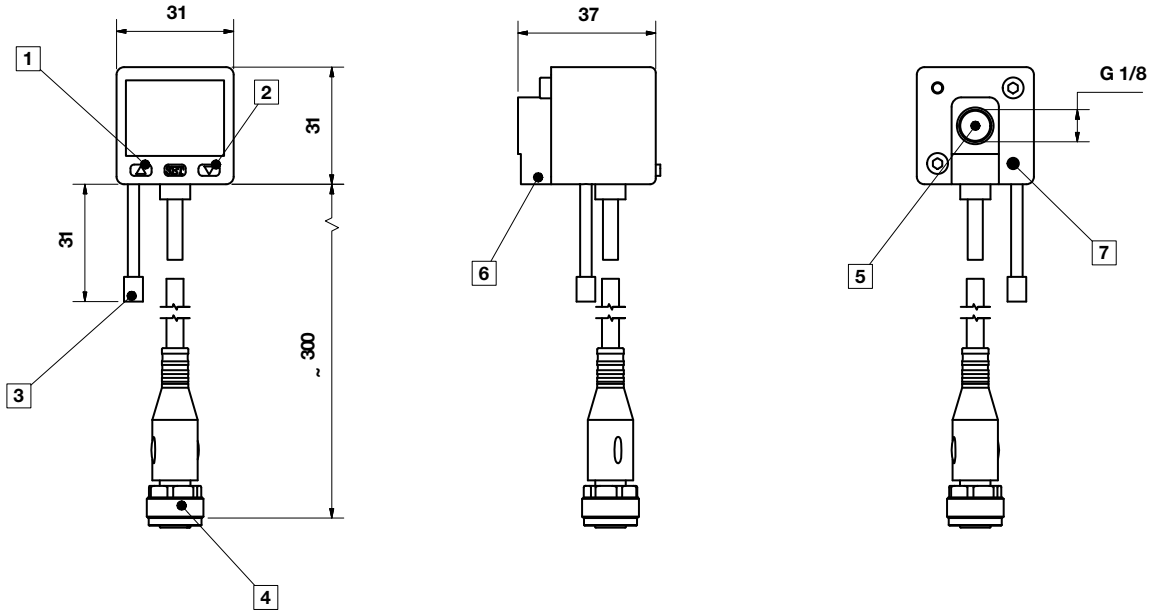
Accessories
Quikclamp® with wall bracket

Quikclamp®

 Dimensions in mm
 Projection/First angle

Mounting bracket

Pressure sensing block

Full flow porting block


Porting block for 18D pressure switch

18D Pressure switch

 Dimensions in mm
 Projection/First angle

18D Porting block and 18D assembled

Pipe adaptor


51D Pressure switch - digital

 Dimensions in mm
 Projection/First angle


- 1 Switch OUT 1, green LED
- 2 Switch OUT 2, red LED
- 3 Dustproof protector
- 4 Connector M12 x 1
- 5 Inlet port
- 6 Alternative inlet port G1/8 plugged
- 7 Thread for mounting screw

Warning

These products are intended for use in industrial compressed air systems only. Do not use these products where pressures and temperatures can exceed those listed under »**Technical features/ data**«.

Before using these products with fluids other than those specified, for non-industrial applications, life-support systems or other applications not within published specifications, consult Norgren Ltd.

Through misuse, age, or malfunction, components used in fluid power systems can fail in various modes.

The system designer is warned to consider the failure modes of all component parts used in fluid power systems and to provide adequate safeguards to prevent personal injury or damage to equipment in the event of such failure.

System designers must provide a warning to end users in the system instructional manual if protection against a failure mode cannot be adequately provided.

System designers and end users are cautioned to review specific warnings found in instruction sheets packed and shipped with these products.