

L82M, L82C - Micro and Oil-fog lubricator Excelon® Plus Modular System

- > Port size: 1/4" & 3/8" (ISO G/PTF)
- > Excelon® Plus design allows in-line installation or modular installation with other Excelon® Plus products
- > Flow sensor provides a nearly constant oil/air ratio over a wide range of flows
- > Double safety lock bowl
- > Metal bowl with prismatic liquid level indicator lens
- > Light weight Polycarbonate bowl
- > All round (360°) visibility of sightdome for ease of drip rate setting
- > Choice of two oil delivery systems



Technical features

Medium:

Compressed air only
Maximum operating pressure:
 Polycarbonate bowl: 10 bar (145 psi)
 Metal bowl: 17 bar (246 psi)
Port size:
 G1/4 G3/8, 1/4 PTF, 3/8 PTF

Flow:

L82C: 26 dm³/s at port size 1/4"
 L82C: 24 dm³/s at port size 3/8"
 L82M: 22 dm³/s at port size 1/4"
 L82M: 21 dm³/s at port size 3/8"
 inlet pressure 145 psi (10.3 bar),
 6.3 bar (91 psi) set pressure and
 a Δp: 1 bar (14.5 psi) droop from set.
Start point:
 Oil-fog L82C: 0.5 dm³/s
 Mirco-fog L82M: 1.2 dm³/s


Ambient/Media temperature:

Polycarbonate bowl:
 -10 ... +60°C (14 ... +140°F)
 Metal bowl:
 -20 ... +65°C (-4 ... +149°F)
 Air supply must be dry enough
 to avoid ice formation at
 temperatures below +2°C
 (+35°F)

Materials:

Transparent Bowl : Polycarbonate with Polypropylene Guard.
 Metal Bowl: Die cast Zinc with PA liquid level indicator lens
 Body: Die cast zinc
 Body cover: ABS
 Sightdome: Transparent PA
 Bowl 'O'- ring: Chloroprene
 Elastomers: NBR

Technical data L82—standard models

Symbol	Port Size	Lubricator type	Bowl	Weight (kg)	Model
	G1/4	Micro-fog	Guarded polycarbonate	0,22	L82M-2GP-EPN
	G3/8	Micro-fog	Guarded polycarbonate	0,22	L82M-3GP-EPN
	G1/4	Micro-fog	Metal with level indicator	0,40	L82M-2GP-EDN
	G3/8	Micro-fog	Metal with level indicator	0,40	L82M-3GP-EDN
	G1/4	Oil-fog	Guarded polycarbonate	0,20	L82C-2GP-EPN
	G3/8	Oil-fog	Guarded polycarbonate	0,20	L82C-3GP-EPN
	G1/4	Oil-fog	Metal with level indicator	0,40	L82C-2GP-EDN
	G3/8	Oil-fog	Metal with level indicator	0,40	L82C-3GP-EDN

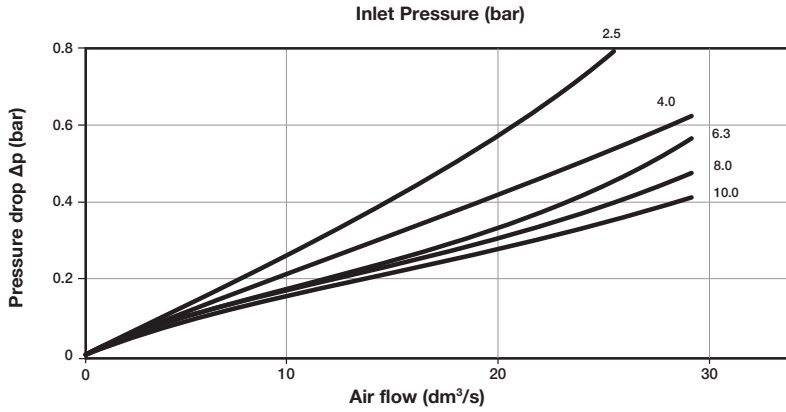
Option selector

L82★ - ★★P - E★N

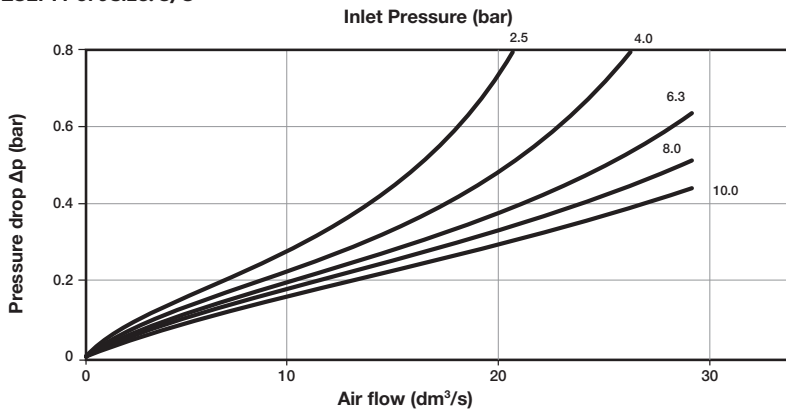
Type	Substitute	Bowl	Substitute
Oil-fog lubricator	C	Metal with liquid indicator	D
Micro-fog lubricator	M	Transparent with guard (standard)	P
Port size	Substitute		
1/4"	2		
3/8"	3		
Thread form	Substitute		
PTF	A		
ISO G (standard)	G		

Flow characteristics

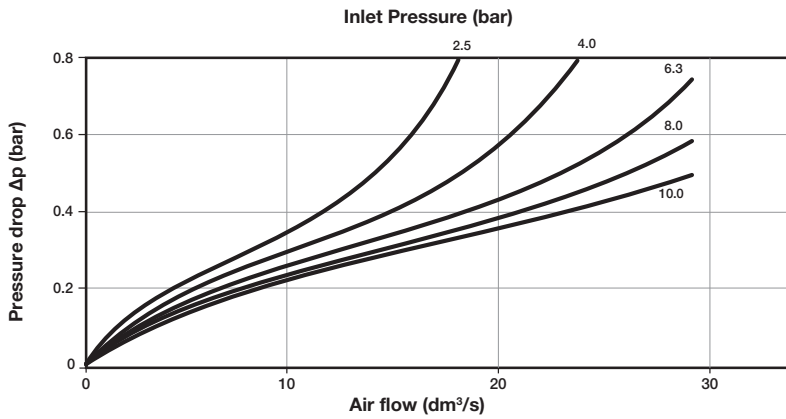
L82M Port size: 1/4"



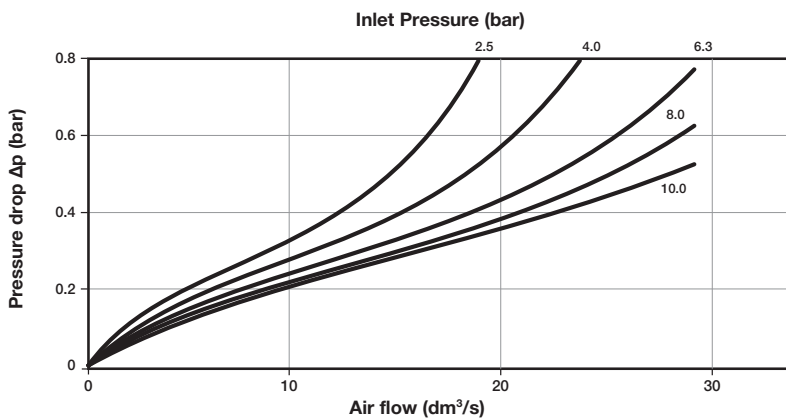
L82M Port size: 3/8"



L82C Port size: 1/4"






L82C Port size: 3/8"



Accessories

Wall mounting bracket  Page 4 820024-50KIT	Quikclamp®  Page 4 820014-51KIT	Quikclamp® with bracket assembled  Page 4 820014-52KIT	Pressure sensing block 1/4 PTF  Page 4 820016-50KIT	Pressure sensing block G1/4  Page 4 820016-51KIT
--	---	--	---	--

Full flow porting block 3/8" PTF  Page 4 820028-50KIT	Full flow porting block G3/8  Page 4 820028-53KIT
---	---

Pressure switch interface block (18D pressure switch)  Page 5 0523109000000000	Pneumatic pressure switch 18D (0,5 ... 8 bar) *1)  Page 5 0881300	Digital pressure switch 51D (-1 ... 10 bar) *2)  Page 5 0860810
---	--	--

*1) Flanged version. For other pressure ranges, please see data sheet 5.11.001

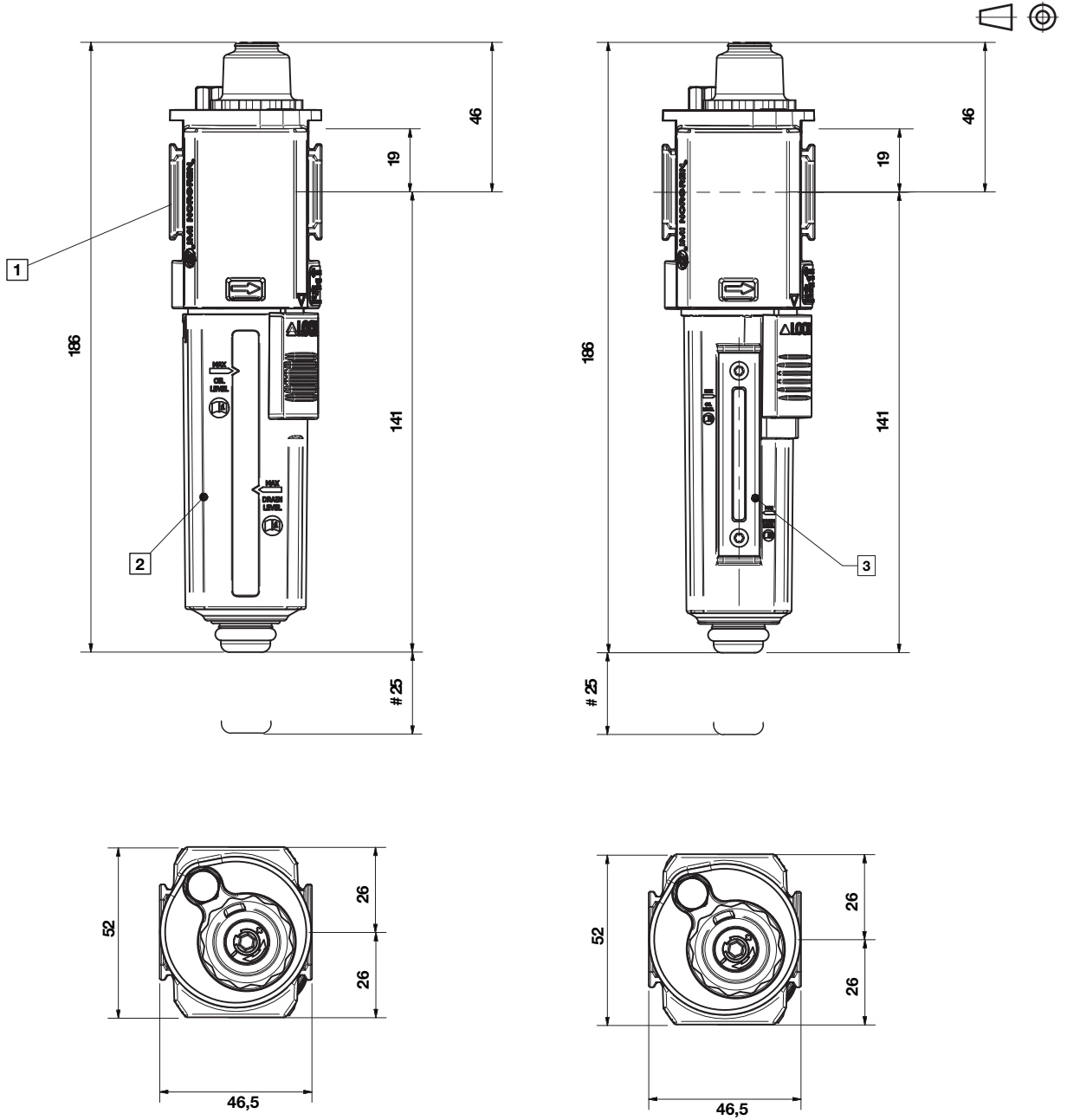
*2) For other pressure ranges, please see data sheet 5.11.385

Port Adaptors 1/4 PTF  Page 5 820015-02KIT	Port Adaptors 3/8 PTF  Page 5 820015-03KIT	Port Adaptors G1/4  Page 5 820015-08KIT	Port Adaptors G3/8  Page 5 820015-09KIT
--	--	---	---

Accessories

Lubricator bowl Guarded Poly  820025-52KIT	Lubricator bowl Metal with sight glass  820003-52KIT	Lubricator sight dome kit  Micro-fog (red) 840055-50KIT Oil-fog (green) 840055-51KIT
--	--	---

Dimensions

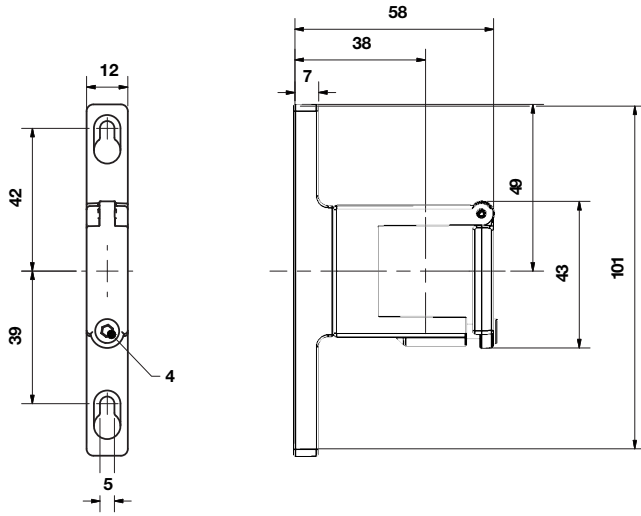
 Dimensions in mm
 Projection/First angle


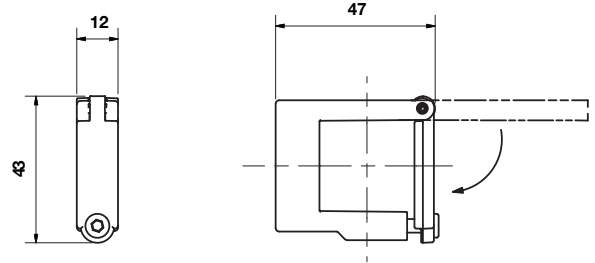
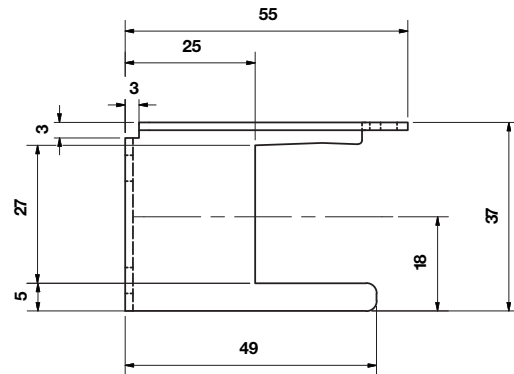
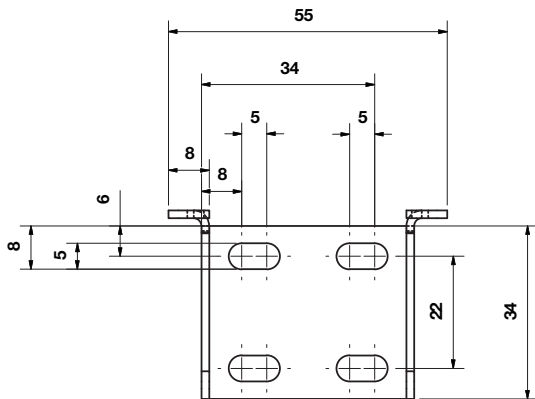
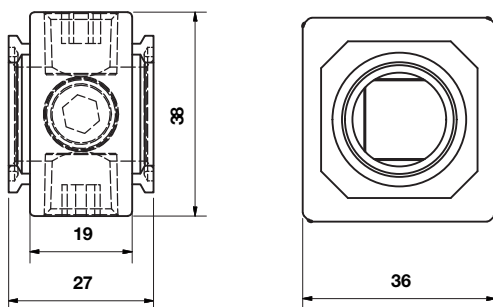
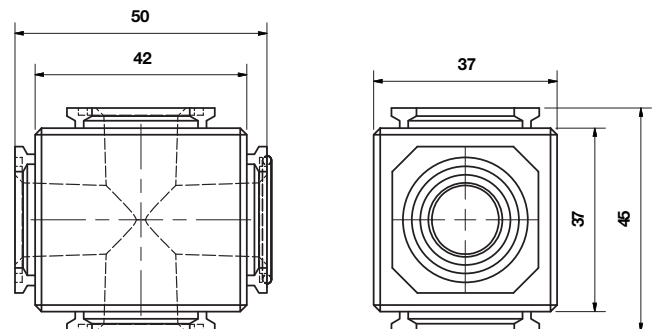
Minimum clearance for bowl removal

1 Main ports 1/4", 3/8" (ISO G/PTF)

2 Transparent bowl with guard

3 Metal bowl with liquid level indicator lens

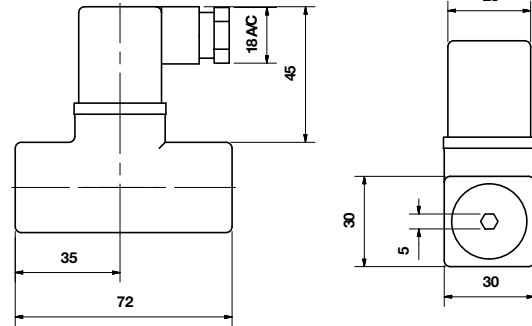
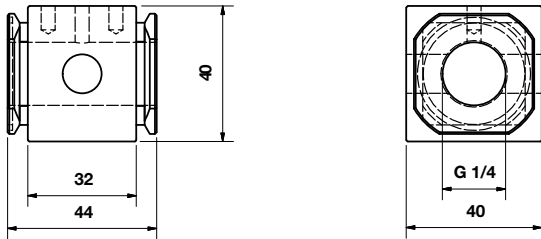
Accessories
Quikclamp® with wall bracket

Quikclamp®

 Dimensions in mm
 Projection/First angle

Mounting bracket

Pressure sensing block

Full flow porting block


Porting block for 18D pressure switch

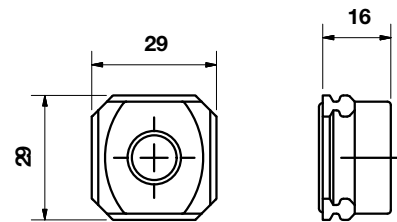
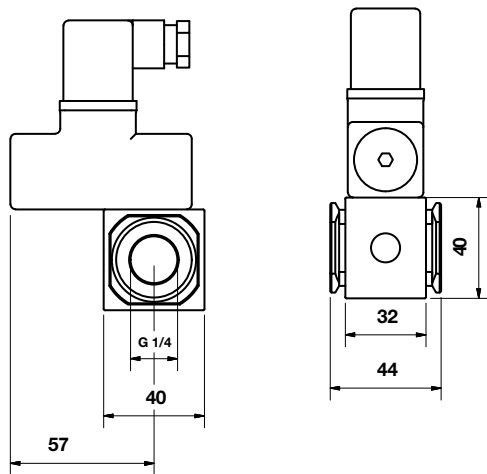
18D Pressure switch

Dimensions in mm
Projection/First angle

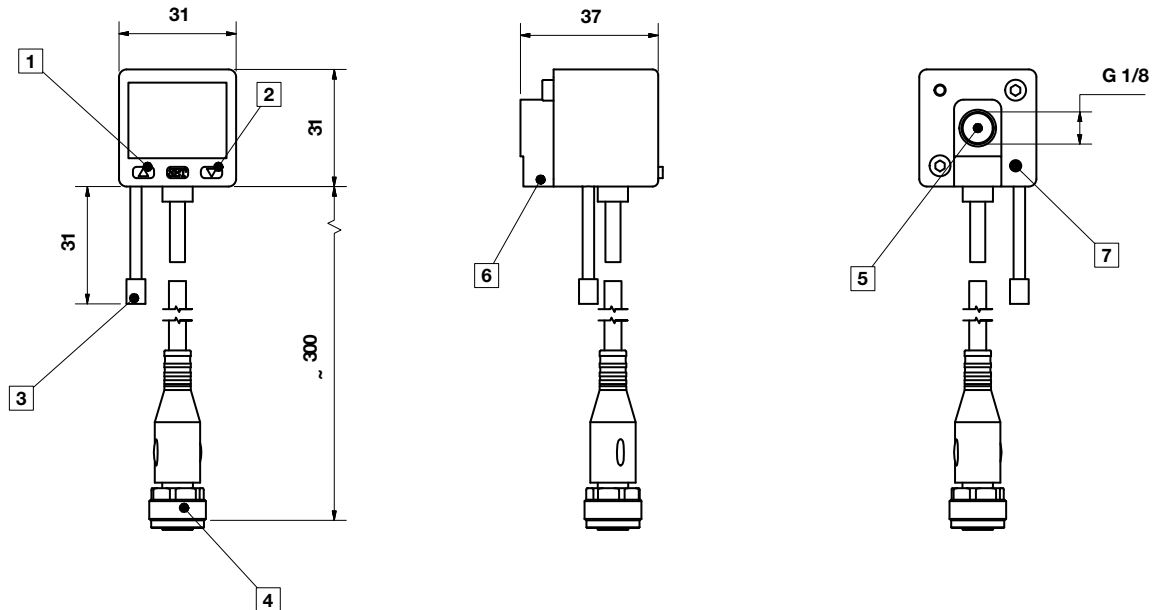


18D Porting block and 18D assembled

Pipe adaptor



51D Pressure switch - digital

 Dimensions in mm
 Projection/First angle


- 1 Switch OUT 1, green LED
- 2 Switch OUT 2, red LED
- 3 Dustproof protector
- 4 Connector M12 x 1
- 5 Inlet port
- 6 Alternative inlet port G1/8 plugged
- 7 Thread for mounting screw

Warning

These products are intended for use in industrial compressed air systems only. Do not use these products where pressures and temperatures can exceed those listed under »**Technical features/ data**«.

Before using these products with fluids other than those specified, for non-industrial applications, life-support systems or other applications not within published specifications, consult Norgren Ltd.

Through misuse, age, or malfunction, components used in fluid power systems can fail in various modes.

The system designer is warned to consider the failure modes of all component parts used in fluid power systems and to provide adequate safeguards to prevent personal injury or damage to equipment in the event of such failure.

System designers must provide a warning to end users in the system instructional manual if protection against a failure mode cannot be adequately provided.

System designers and end users are cautioned to review specific warnings found in instruction sheets packed and shipped with these products.