

# BL82 - Filter/regulator – Lubricator Combination Units Excelon® Plus Modular System



- > Port size: 1/4" & 3/8" (ISO G/PTF)
- > Unique Quikclamp connection system offers full modularity
- > 40 micron particle and high efficiency water removal (> 95%)
- > Double safety lock on bowl
- > Integrated gauge
- > Shut off valve, regulator and filter regulator with tamper resistance feature
- > Metal bowl with prismatic liquid level indicator
- > Light weight polycarbonate bowl
- > Easy to read flush mounted integrated pressure gauge as standard
- > All round (360°) visibility of sightdome for ease of drip rate setting



## Technical features

### Medium:

Compressed air only

### Maximum supply pressure:

Polycarbonate bowl: 10 bar (145 psi)

Metal bowl: 17 bar (246 psi)

### Outlet pressure ranges:

0,3 ...10 bar (4 ... 145 psi)

### Filter element:

40 µm

### Port size:

G1/4, G3/8, 1/4 PTF, 3/8 PTF

### Gauge:

Integrated as standard

### Diaphragm Type:

Relieving

### Drain:

Manual or automatic

Automatic drain operating conditions (float operated):

Bowl pressure required to close drain: > 0.35 bar (5 psi)

Bowl pressure required to open drain: ≤ 0.2 bar (2.9 psi)

Minimum air flow required to close drain: 1 dm³/s.

### Ambient/Media temperature:

-10 ... +60°C (+14 ... +140°F)

Metal bowl:

-20 ... +65°C (-4 ... +149°F)

Air supply must be dry enough to avoid ice formation at temperatures below +2°C (+35°F).

### Materials:

Body: Die cast aluminum

Body covers: ABS

Bonnet: Acetal

Valve: PP

Transparent Bowl :

Polycarbonate with Polypropylene Guard.

Metal Bowl: Die cast Zinc with

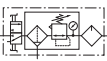
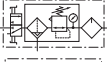
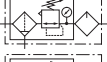

PA liquid level indicator lens

Filter element: sintered PP

Bowl 'o'- ring: Chloroprene

Elastomers: NBR

## Technical data BL82—standard models

| Symbol  | Port Size | Shutoff Valve | Drain  | Lubricator Type | Weight (kg) | Model *1) |
|---|-----------|---------------|--------|-----------------|-------------|-----------|
|  | G1/4      | With          | Manual | Microfog        | 1,30        | BL82-221G |
|   | G3/8      | With          | Manual | Microfog        | 1,30        | BL82-321G |
|  | G1/4      | With          | Auto   | Microfog        | 0,90        | BL82-201G |
|   | G3/8      | With          | Auto   | Microfog        | 0,90        | BL82-301G |
|  | G1/4      | Without       | Manual | Microfog        | 1,00        | BL82-225G |
|   | G3/8      | Without       | Manual | Microfog        | 1,00        | BL82-325G |
|  | G1/4      | Without       | Auto   | Microfog        | 0,60        | BL82-205G |
|   | G3/8      | Without       | Auto   | Microfog        | 0,60        | BL82-305G |

\*1) All models shown here are supplied with brackets and integrated gauge applicable for flow direction left to right. With flow direction right to left please use the online configurator [www.norgren.com/air-preparation-configurator](http://www.norgren.com/air-preparation-configurator) or contact Norgren

In addition to the standard box set units shown on this data sheet, further combinations can be configured using our online Air Preparation configurator:

[www.norgren.com/air-preparation-configurator](http://www.norgren.com/air-preparation-configurator)



**Option selector \*1)**
**BL82-★★★★**

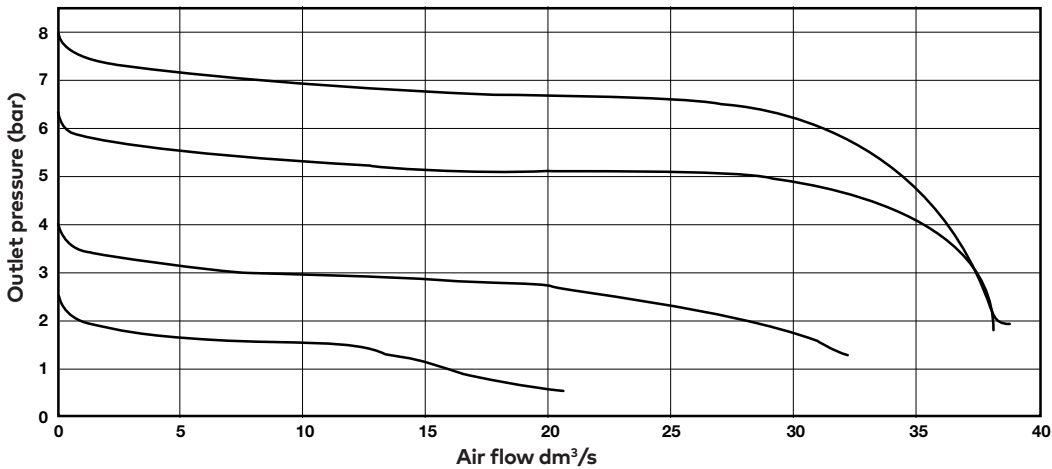
| Port size   | Substitute |
|---|------------|
| 1/4"  | 2          |
| 3/8"  | 3          |
| Units   | Substitute |
| Filter/Regulator w. auto drain, Micro fog lubricator, Polycarbonate bowls   | 0          |
| Filter/Regulator w. auto drain, Oil fog lubricator, Polycarbonate bowls     | 1          |
| Filter/Regulator w. manual drain, Micro fog lubricator, Polycarbonate bowls | 2          |
| Filter/Regulator w. manual drain, Oil fog lubricator, Polycarbonate bowls   | 3          |
| Filter/Regulator w. auto drain, Micro fog lubricator, Metal bowls           | 5          |
| Filter/Regulator w. auto drain, Oil fog lubricator, Metal bowls             | 6          |
| Filter/Regulator w. manual drain, Micro fog lubricator, Metal bowls         | 7          |
| Filter/Regulator w. manual drain, Oil fog lubricator, Metal bowls           | 8          |

| Thread form                            | Substitute |
|--|------------|
| PTF                                    | A          |
| ISO G (standard)                       | G          |
| Accessories                            | Substitute |
| Shutt-off valve and Gauge and brackets | 1          |
| Gauge and brackets                     | 5          |

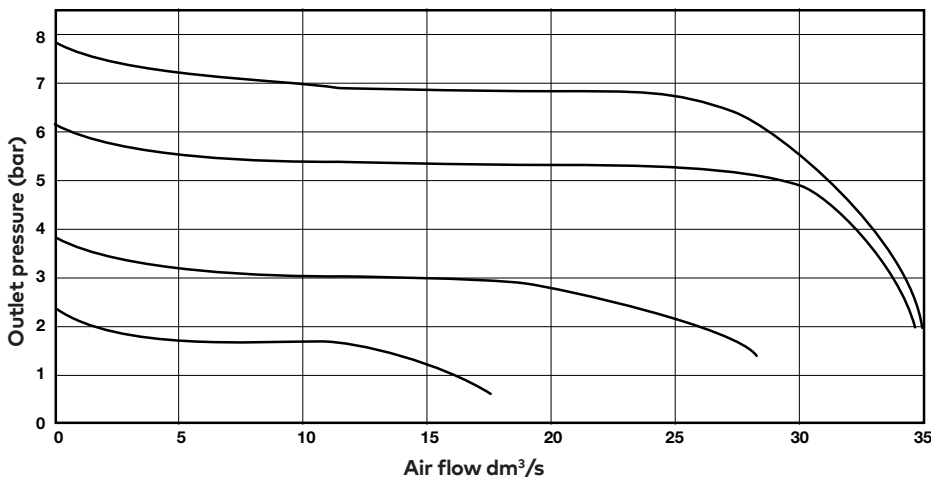
\*1) All models shown here are applicable for flow direction left to right.  
 With flow direction right to left please use the online configurator  
[www.norgren.com/air-preparation-configurator](http://www.norgren.com/air-preparation-configurator) or contact Norgren

**Flow characteristics**

**Inlet pressure: 10 bar (145 psi)**  
**Range: 0.3 to 10 bar (4 to 145 psi)**  
**Port size: 1/4", 40 µm element**



**Inlet pressure: 10 bar (145 psi)**  
**Range: 0.3 to 10 bar (4 to 145 psi)**  
**Port size: 3/8", 40 µm element**



## Accessories

### Quikclamp®



Page 6

820014-51KIT

### Quikclamp® with bracket assembled



Page 6

820014-52KIT

### Pressure sensing block 1/4 PTF



Page 6

820016-50KIT

### Pressure sensing block G1/4



Page 6

820016-51KIT

### Integrated gauge 10 bar gauge



820073-01KIT

### Integrated gauge 20 bar gauge



820073-02KIT

### Integrated gauge 4 bar gauge



820073-03KIT

### Gauge adaptor kit 1/8 PTF



820100-01KIT

### Gauge adaptor kit R 1/8



820100-02KIT

### Porting block 3/8" PTF



820028-50KIT

### Porting block G3/8



820028-53KIT

### Pressure switch interface block (18D pressure switch) G1/4



0523109000000000

### Pressure switch 18D (0,5 ... 8bar) \*1



0881300

### Digital pressure switch 51D (-1 ... 10 bar) \*2

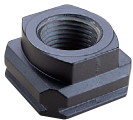


0860810

\*1) Flanged version. For other pressure ranges, please see data sheet 5.11.001

\*2) For other pressure ranges, please see data sheet 5.11.385

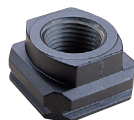
### Port Adaptors 1/4 PTF



Page 7

820015-02KIT

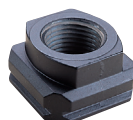
### Port Adaptors 3/8 PTF



Page 7

820015-03KIT

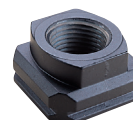
### Port Adaptors G1/4



Page 7

820015-08KIT

### Port Adaptors G3/8



Page 7

820015-09KIT

## Padlock

### Padlock



84a0055-01KIT

### Lockout device



840055-02KIT

## Silencer

### Porous plastic silencer \*3) G1/4



M/S2

### Porous plastic silencer \*3) G1/4



0014600000000000

### Porous plastic silencer \*3) 1/4 PTF



MS002A

\*3) Max. pressure of silencers listed in this data sheet : 10 bar. For pressure higher than 10 bar please contact Norgren

**Maintenance/Service**
**Auto drain kit with metal Nut - Imperial**


6000-61KIT

**Auto drain kit with metal Nut - Metric**


6000-60KIT

**R82 / B82 Service kit**


FRLB82-KIT

**Filter cartridges 40 micron**


820038-51KIT

**Spare parts**
**Filter Bowl (Guarded Poly bowl with auto drain 6 mm PIF)**


820025-51KIT

**Filter Bowl (Guarded Poly bowl with manual drain)**


820025-50KIT

**Filter Bowl (Metal with S/Glass & auto drain, 6 mm PIF)**


820003-51KIT

**Filter Bowl (Metal with S/Glass & manual drain)**


820003-50KIT

**Lubricator bowl Guarded Poly**


820025-52KIT

**Lubricator bowl Metal with sight glass**


820003-52KIT

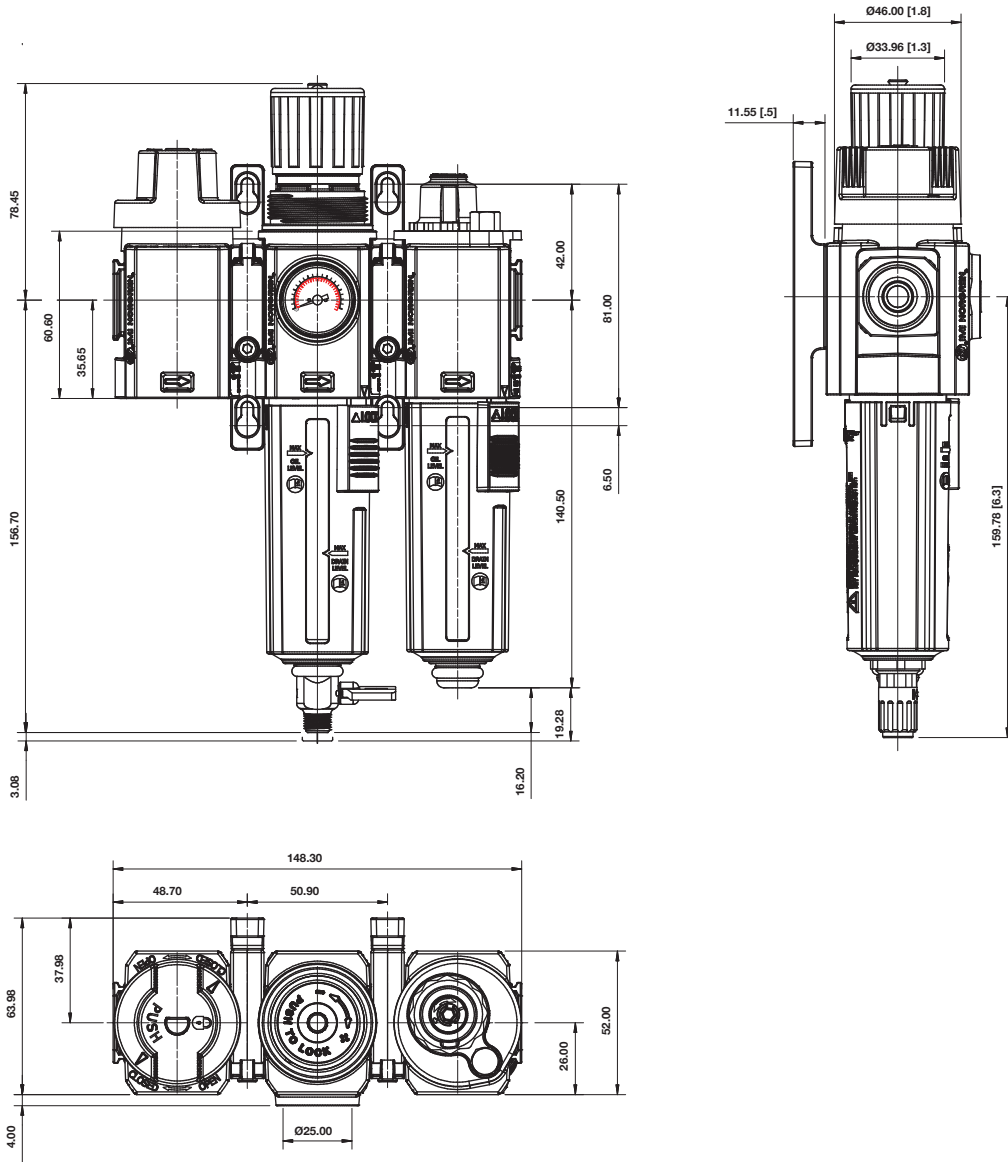
**Lubricator sight dome kit**


Micro fog (red) 840055-50KIT

**Lubricator sight dome kit**


Oil fog (green) 840055-51KIT

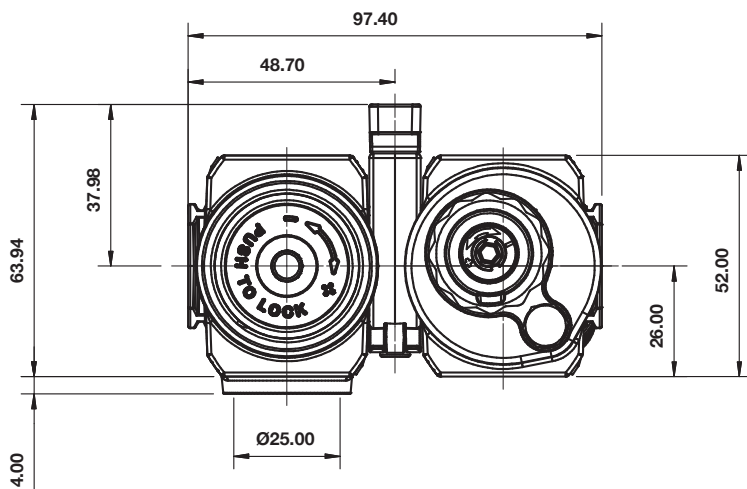
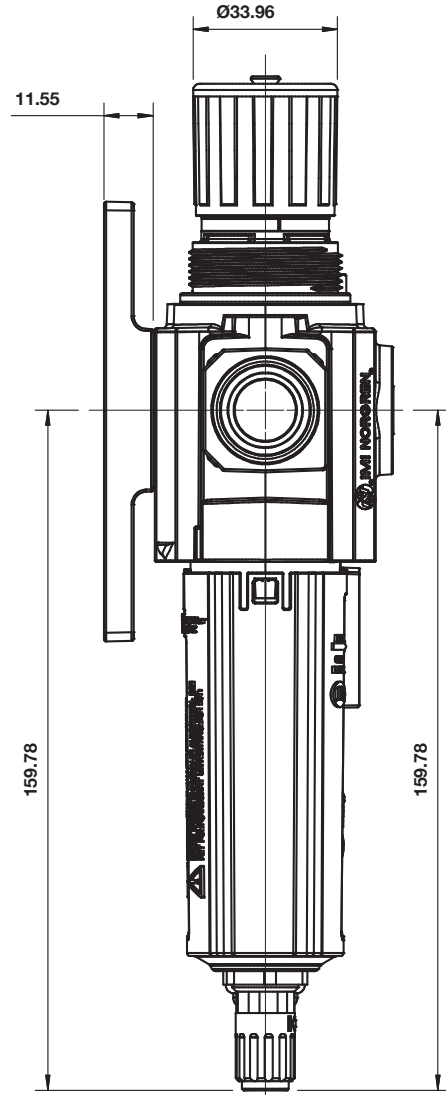
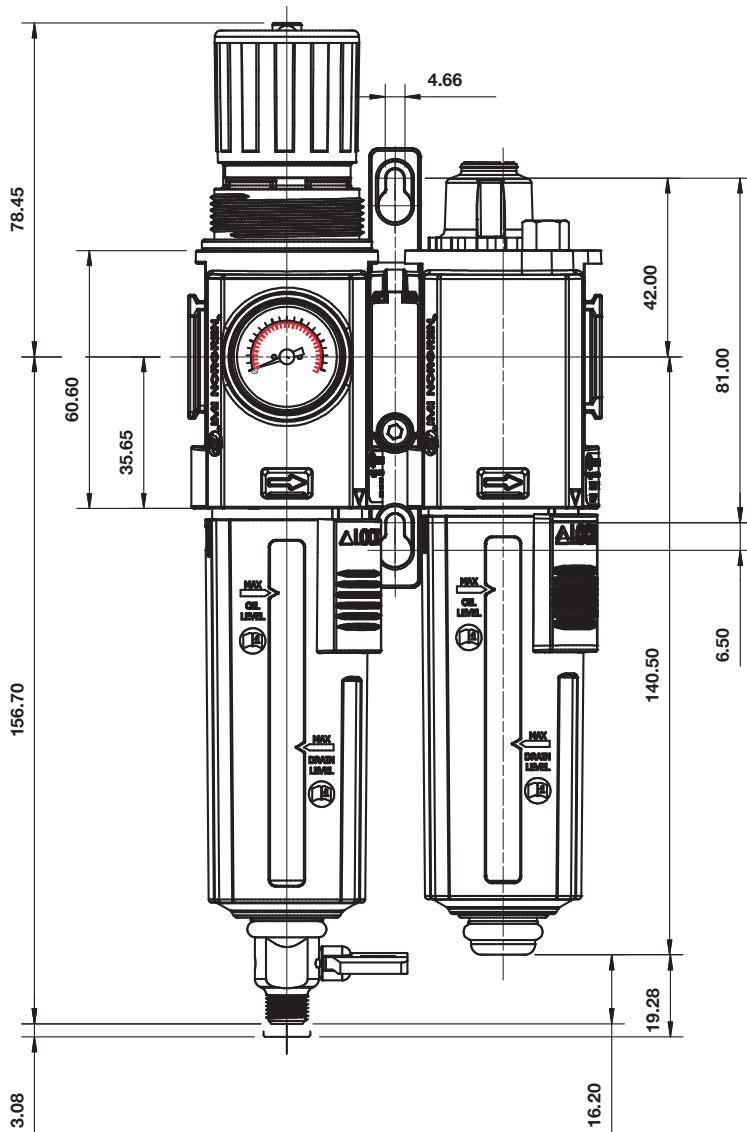
**Dimensions**
**Shut-off valve, Filter/regulator and Lubricator**

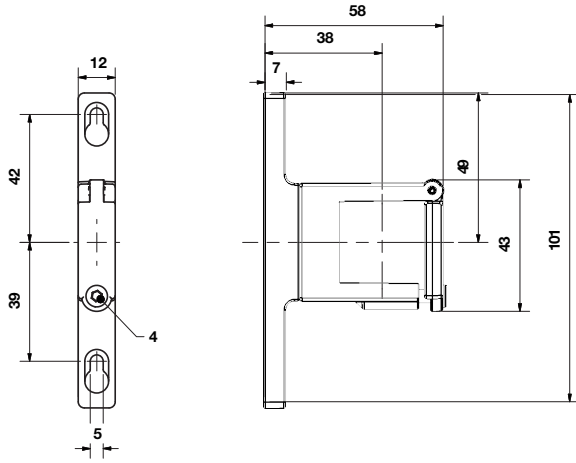
 Dimensions in mm  
 Projection/First angle


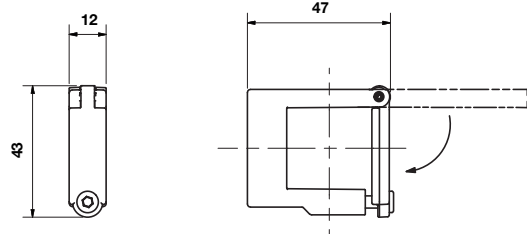
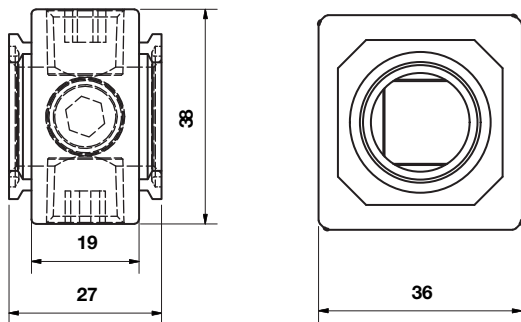
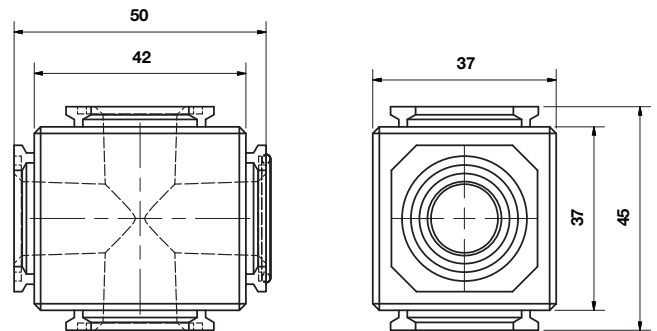
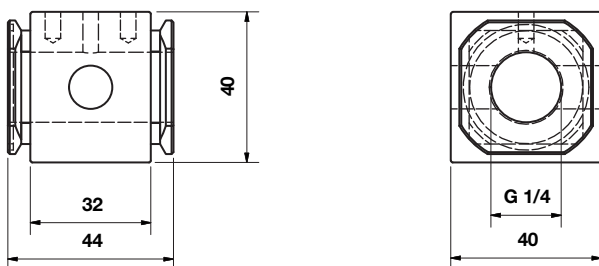
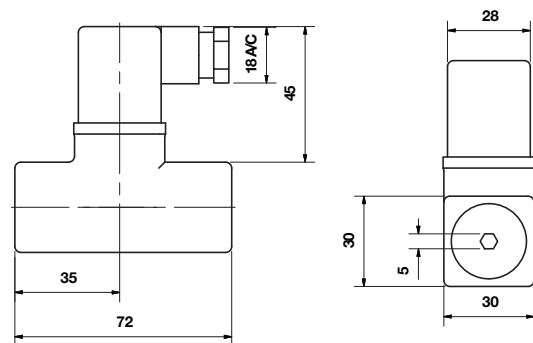
# Minimum clearance for bowl removal

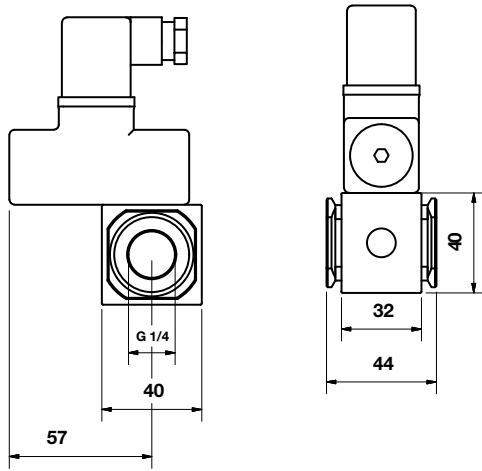
**Dimensions**  
**Filter/regulator and Lubricator**

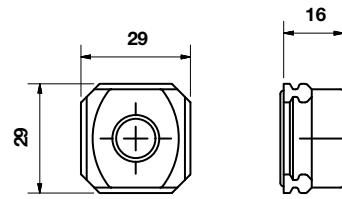
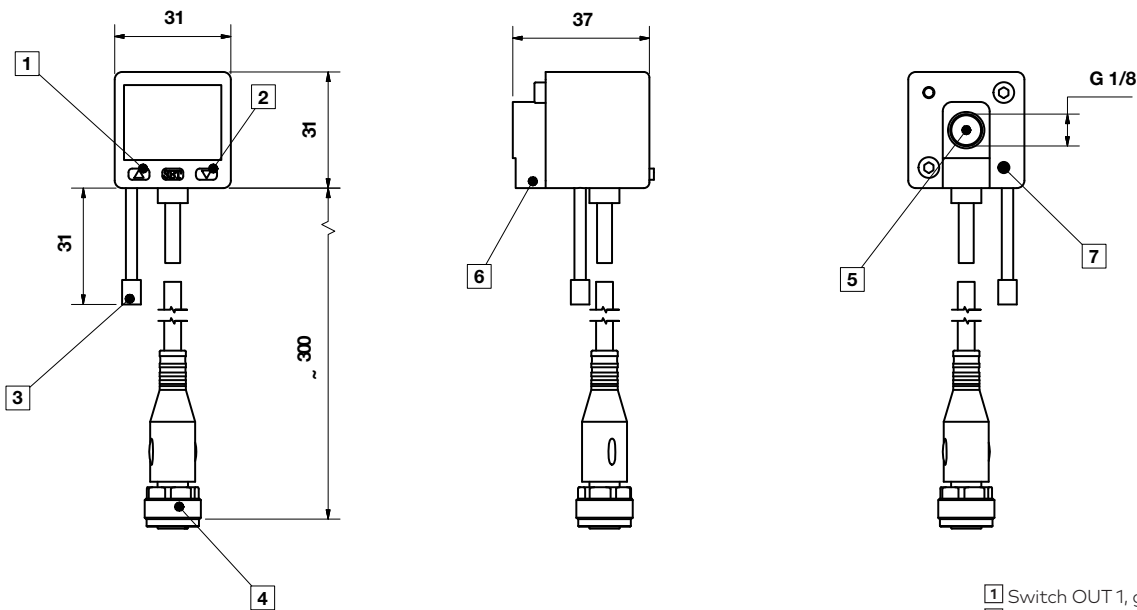
Dimensions in mm  
 Projection/First angle



**Accessories**
**Quikclamp® with wall bracket**

**Quikclamp®**

 Dimensions in mm  
 Projection/First angle

**Pressure sensing block**

**Full flow porting block**

**Porting block for 18D pressure switch**

**18D Pressure switch**


**18D Porting block and 18D assembled**

**Pipe adaptor**

 Dimensions in mm  
 Projection/First angle

**51D Pressure switch - digital**


- 1 Switch OUT 1, green LED
- 2 Switch OUT 2, red LED
- 3 Dustproof protector
- 4 Connector M12 x 1
- 5 Inlet port
- 6 Alternative inlet port G1/8 plugged
- 7 Thread for mounting screw

**Warning**

These products are intended for use in industrial compressed air systems only. Do not use these products where pressures and temperatures can exceed those listed under »**Technical features/ data**«.

Before using these products with fluids other than those specified, for non-industrial applications, life-support systems or other applications not within published specifications, consult Norgren Ltd.

Through misuse, age, or malfunction, components used in fluid power systems can fail in various modes.

The system designer is warned to consider the failure modes of all component parts used in fluid power systems and to provide adequate safeguards to prevent personal injury or damage to equipment in the event of such failure.

System designers must provide a warning to end users in the system instructional manual if protection against a failure mode cannot be adequately provided.

System designers and end users are cautioned to review specific warnings found in instruction sheets packed and shipped with these products.